

TECHNICAL DATASHEET TURBOCAR

EXECUTIVE – IG1S



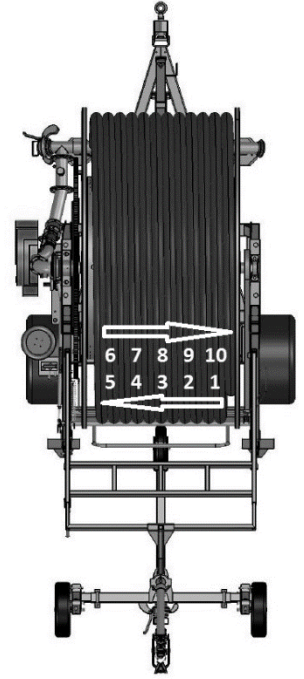
Illustrative purposes only; the model shown here could be different that one supplied

STANDARD EQUIPMENT

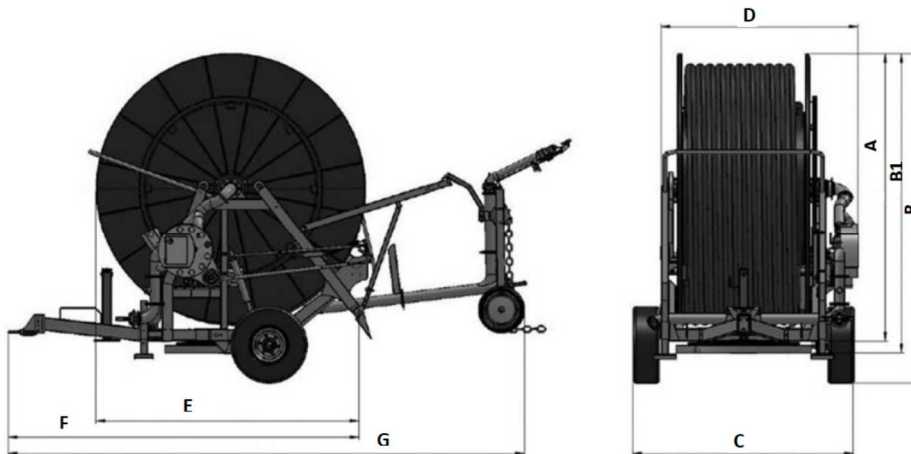
- High efficiency partial flow turbine drive directly coupled to the gearbox (minimum pressure losses in its category)
- 4 speed gearbox with oil lubrication
- Safety devices for PTO and rewinding out of the drum
- Moving transmission through toothed crown, which is placed close to the maximum stress point on the drum and not pushing against the hose reel borders
- Leadscrew driven hose layering guide
- By-pass “double action” for automatic speed control
- Glycerine filled pressure gauge
- Digital hour meters
- Huge diameter 360° turntable
- Hydraulic system for turntable rotation, trolley lift, drawbar jack and independent wheels lifting, actioned by distributor lever situated on one side of the machine
- Trolley lift and stacker legs driven by hydraulic pistons incorporated inside the structure
- Hot galvanised steel frame, pipework with double water inlet and components
- 2 wheels hot galvanised sprinkler trolley with adjustable track, height and legs
- Accident prevention protections according to CE standard
- Sprinkler with set of nozzles
- High resistant medium density PE hose with differentiated thickness
- Instructions and maintenance handbook
- CE Certificate
- Warranty certificate

Available Models

Structure	Model	Type	Hose ending	P.E. hose Ø (mm)	Hose length L (m)	Sprinkler
IG1SD	110 IG 560		2	110	560	REFLEX / TWIN 160
	110 IG 600		4	110	600	REFLEX / TWIN 160
	120 IG 500		2	120	500	EXPLORER / TWIN 202
	125 IG 420		8	125	420	EXPLORER / TWIN 202
	125 IG 450		9	125	450	EXPLORER / TWIN 202
	135 IG 400		8	135	400	EXPLORER / TWIN 202
	140 IG 320		2	140	320	EXPLORER / TWIN 202
	140 IG 350		4	140	350	EXPLORER / TWIN 202
	150 IG 300		4	150	300	EXPLORER / TWIN 202



Weight and overall dimensions



STR.	TYPE	WHEELS	A	B	B1	C	D	E	F	G	KG
IG1S	A	11.5/80.15.3-6F	3340	3870	3480	2550	2400	3140	4110	6050	5000 ÷ 5500
	A	400/60.15.3-6F	3340	3870	3480	2750	2400	3140	4110	6050	
	A	13.0/65.18-6F	3340	3900	3480	2690	2400	3140	4110	6050	
	B	11.5/80.15.3-6F	3340	3870	3480	2550	2400	3140	4110	6050	
	B	400/60.15.3-6F	3340	3870	3480	2750	2400	3140	4110	6050	
	B	13.0/65.18-6F	3340	3900	3480	2690	2400	3140	4110	6050	
	C	11.5/80.15.3-6F	3340	3870	3480	2550	2400	3140	4110	6050	
	C	400/60.15.3-6F	3340	3870	3480	2750	2400	3140	4110	6050	
	C	13.0/65.18-6F	3340	3900	3480	2690	2400	3140	4110	6050	

Technical Features

Ø hose (mm)	Ø nozzle (mm)	Machine pressure (atm)				Sprinkler press. (atm)	Throw (mt)	Irrigated width (mt)	Flow (l/min)	Irrigated area (ha)				Rainfall (mm)		
		560	600							560	600					
110	28	6,4	6,6			3,0	44,0	74,8	848	4,20	4,48			64,5	21,5	12,9
		8,3	8,5			4,0	51,0	86,7	980	4,91	5,24			63,7	21,2	12,7
	30	9,3	9,7			4,0	52,0	88,4	1127	5,01	5,35			71,8	23,9	14,4
		11,4	11,8			5,0	57,0	96,9	1260	5,52	5,89			72,8	24,3	14,6
	32	13,0	13,5			5,0	58,0	98,6	1432	5,63	6,00			81,2	27,1	16,2
		12,5	13,0			5,5	60,0	102,0	1330	5,83	6,22			72,8	24,3	14,6
120	30	7,1				4,0	52,0	88,4	1127	4,51				59,9	20,0	12,0
		8,7				5,0	56,0	95,2	1260	4,88				61,8	20,6	12,4
	32	9,6				5,0	58,0	98,6	1432	5,07				67,7	22,6	13,5
		11,3				6,0	62,0	105,4	1570	5,44				69,1	23,0	13,8
	34	10,6				5,0	59,0	100,3	1618	5,16				75,1	25,0	15,0
		12,5				6,0	64,0	108,8	1773	5,63				75,4	25,1	15,1
125	32	6,6	6,8			4,0	54,0	91,8	1282	3,99	4,26			76,8	25,6	15,4
		8,1	8,3			5,0	58,0	98,6	1432	4,32	4,60			79,4	26,5	15,9
	36	9,5	9,7			5,0	61,0	103,7	1813	4,56	4,86			95,2	31,7	19,0
		11,2	11,5			6,0	66,0	112,2	1988	4,97	5,29			95,8	31,9	19,2
	38	10,3	10,7			5,0	63,0	107,1	2022	4,72	5,03			102,5	34,2	20,5
		12,2	12,6			6,0	68,0	115,6	2215	5,14	5,47			103,2	34,4	20,6
135	34	7,6				5,0	59,0	100,3	1618	4,21				90,2	30,1	18,0
		8,9				6,0	64,0	108,8	1773	4,60				90,4	30,1	18,1
	36	8,0				5,0	61,0	103,7	1813	4,36				97,4	32,5	19,5
		9,5				6,0	66,0	112,2	1988	4,76				97,9	32,6	19,6
	38	8,6				5,0	63,0	107,1	2022	4,52				104,8	34,9	21,0
		10,1				6,0	68,0	115,6	2215	4,92				105,6	35,2	21,1
140	34	6,8	6,9			5,0	59,0	100,3	1618	3,44	3,73			83,9	28,0	16,8
		8,0	8,2			6,0	64,0	108,8	1773	3,77	4,08			83,9	28,0	16,8
	36	7,1	7,2			5,0	61,0	103,7	1813	3,57	3,87			90,6	30,2	18,1
		8,4	8,6			6,0	66,0	112,2	1988	3,90	4,22			90,9	30,3	18,2
	38	7,4	7,6			5,0	63,0	107,1	2022	3,71	4,01			97,4	32,5	19,5
		8,8	9,0			6,0	68,0	115,6	2215	4,04	4,37			97,9	32,6	19,6
150	36	6,5				5,0	61,0	103,7	1813	3,38				89,9	30,0	18,0
		7,7				6,0	66,0	112,2	1988	3,69				90,2	30,1	18,0
	38	6,7				5,0	63,0	107,1	2022	3,50				96,6	32,2	19,3
		8,0				6,0	68,0	115,6	2215	3,82				97,1	32,4	19,4
	40	8,3				6,0	69,0	117,3	2455	3,88				105,8	35,3	21,2
		8,9				6,5	71,0	120,7	2552	4,01				106,5	35,5	21,3