

TECHNICAL DATASHEET TURBOCAR

EXECUTIVE – IG2



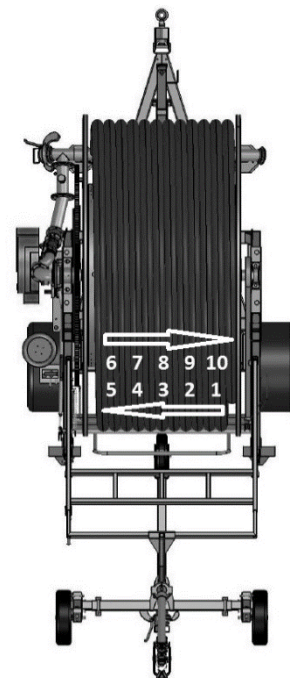
Illustrative purposes only; the model shown here could be different that one supplied

STANDARD EQUIPMENT

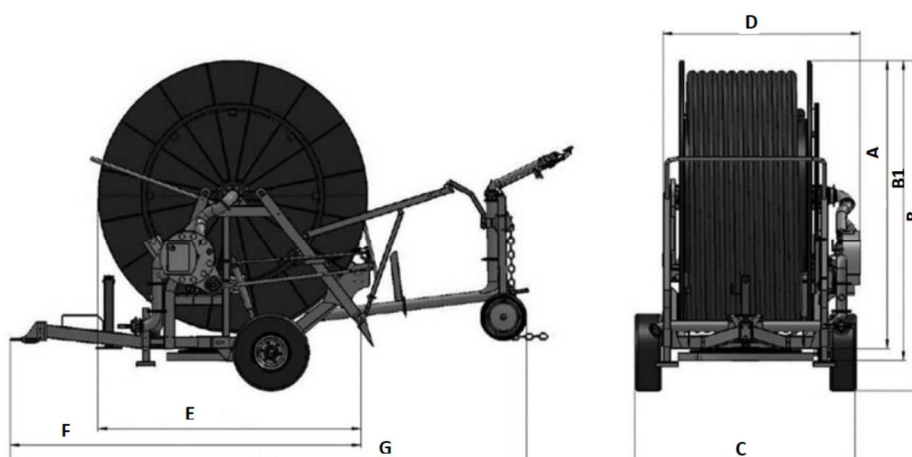
- High efficiency partial flow turbine drive directly coupled to the gearbox (minimum pressure losses in its category)
- 4 speed gearbox with oil lubrication
- Safety devices for PTO and rewinding out of the drum
- Moving transmission through toothed crown, which is placed close to the maximum stress point on the drum and not pushing against the hose reel borders
- Leadscrew driven hose layering guide
- By-pass “double action” for automatic speed control
- Glycerine filled pressure gauge
- Digital hour meters
- Huge diameter 360° turntable
- Hydraulic system for turntable rotation, trolley lift, drawbar jack and independent wheels lifting, actioned by distributor lever situated on one side of the machine
- Trolley lift and stacker legs driven by hydraulic pistons incorporated inside the structure
- 2 wheels painted frame
- Hot galvanised steel pipework with double water inlet and components
- 2 wheels hot galvanised sprinkler trolley with adjustable track, height and legs
- Accident prevention protections according to CE standard
- Sprinkler with set of nozzles
- High resistant medium density PE hose with differentiated thickness
- Instructions and maintenance handbook
- CE Certificate
- Warranty certificate

Available Models

Structure	Model	Type	Hose ending	P.E. hose Ø (mm)	Hose length L (m)	Sprinkler
IG2D	110 IG 630	A	3	110	630	REFLEX / TWIN 160
	110 IG 680	A	5	110	680	REFLEX / TWIN 160
	120 IG 550	B	10	120	550	EXPLORER / TWIN 202
	125 IG 470	A	8	125	470	EXPLORER / TWIN 202
	125 IG 500	A	10	125	500	EXPLORER / TWIN 202
	135 IG 450	A	8	135	450	EXPLORER / TWIN 202
	135 IG 480	A	10	135	480	EXPLORER / TWIN 202
	140 IG 360	C	3	140	360	EXPLORER / TWIN 202
	140 IG 400	C	5	140	400	EXPLORER / TWIN 202
	150 IG 330	B	3	150	330	EXPLORER / TWIN 202
	150 IG 350	B	4	150	350	EXPLORER / TWIN 202



Weight and overall dimensions



STR.	TYPE	WHEELS	A	B	B1	C	D	E	F	G	KG
IG2	A	11.5/80.15.3-6F	3330	3770	3480	2600	2550	3180	4320	6300	5700 ÷ 5800
	A	13.0/65.18-6F	3330	3790	3480	2680	2550	3180	4320	6300	
	A	385/65.22.5-6F	3330	3870	3480	2800	2550	3180	4320	6300	
	A	500/50.17-6F	3330	3810	3480	3020	2550	3180	4320	6300	
	B	11.5/80.15.3-6F	3330	3770	3480	2600	2550	3180	4320	6300	
	B	13.0/65.18-6F	3330	3790	3480	2680	2550	3180	4320	6300	
	B	385/65.22.5-6F	3330	3870	3480	2800	2550	3180	4320	6300	
	B	500/50.17-6F	3330	3810	3480	3020	2550	3180	4320	6300	
	C	11.5/80.15.3-6F	3330	3770	3480	2600	2550	3180	4320	6300	
	C	13.0/65.18-6F	3330	3790	3480	2680	2550	3180	4320	6300	
	C	385/65.22.5-6F	3330	3870	3480	2800	2550	3180	4320	6300	
	C	500/50.17-6F	3330	3810	3480	3020	2550	3180	4320	6300	

Technical Features

Ø hose (mm)	Ø nozzle (mm)	Machine pressure (atm)				Sprinkler press. (atm)	Throw (mt)	Irrigated width (mt)	Flow (l/min)	Irrigated area (ha)				Rainfall (mm)		
		630	680							630	680					
110	28	6,8	7,0			3,0	44,0	74,8	848	4,70	5,05			64,9	21,6	13,0
		8,7	9,1			4,0	51,0	86,7	980	5,48	5,90			64,2	21,4	12,8
	30	9,9	10,4			4,0	52,0	88,4	1127	5,60	6,02			72,3	24,1	14,5
		12,2	12,7			5,0	57,0	96,9	1260	6,17	6,63			73,4	24,5	14,7
	32	13,9	14,6			5,0	58,0	98,6	1432	6,28	6,75			81,8	27,3	16,4
		13,4	13,9			5,5	60,0	102,0	1330	6,51	7,00			73,3	24,4	14,7
120	30	550								550						
		7,5				4,0	52,0	88,4	1127	4,93				61,3	20,4	12,3
	9,1				5,0	56,0	95,2	1260	5,33				63,3	21,1	12,7	
	32	10,1				5,0	58,0	98,6	1432	5,53				69,3	23,1	13,9
		11,9				6,0	62,0	105,4	1570	5,94				70,8	23,6	14,2
	34	11,2				5,0	59,0	100,3	1618	5,64				76,9	25,6	15,4
13,3					6,0	64,0	108,8	1773	6,15				77,3	25,8	15,5	
125	32	470	500							470	500					
		7,0	7,2			4,0	54,0	91,8	1282	4,43	4,69			77,5	25,8	15,5
	8,6	8,8			5,0	58,0	98,6	1432	4,78	5,07			80,2	26,7	16,0	
	36	10,2	10,5			5,0	61,0	103,7	1813	5,05	5,35			96,2	32,1	19,2
		12,1	12,4			6,0	66,0	112,2	1988	5,50	5,82			96,8	32,3	19,4
	38	11,2	11,6			5,0	63,0	107,1	2022	5,23	5,54			103,5	34,5	20,7
13,3		13,7			6,0	68,0	115,6	2215	5,69	6,02			104,4	34,8	20,9	
135	34	450	480							450	480					
		7,9	8,2			5,0	59,0	100,3	1618	4,68	4,97			90,6	30,2	18,1
	9,3	9,7			6,0	64,0	108,8	1773	5,12	5,43			90,9	30,3	18,2	
	36	8,4	8,8			5,0	61,0	103,7	1813	4,86	5,15			97,9	32,6	19,6
		9,9	10,4			6,0	66,0	112,2	1988	5,29	5,61			98,6	32,9	19,7
	38	9,0	9,5			5,0	63,0	107,1	2022	5,03	5,33			105,4	35,1	21,1
10,7		11,2			6,0	68,0	115,6	2215	5,47	5,80			106,3	35,4	21,3	
140	34	360	400							360	400					
		7,0	7,2			5,0	59,0	100,3	1618	3,83	4,21			85,0	28,3	17,0
	8,3	8,5			6,0	64,0	108,8	1773	4,19	4,60			85,1	28,4	17,0	
	36	7,4	7,6			5,0	61,0	103,7	1813	3,97	4,36			91,8	30,6	18,4
		8,7	9,0			6,0	66,0	112,2	1988	4,33	4,76			92,2	30,7	18,4
	38	7,8	8,0			5,0	63,0	107,1	2022	4,11	4,52			98,7	32,9	19,7
9,2		9,5			6,0	68,0	115,6	2215	4,48	4,92			99,4	33,1	19,9	
150	36	330	350							330	350					
		6,7	6,7			5,0	61,0	103,7	1813	3,67	3,87			90,9	30,3	18,2
	7,9	8,0			6,0	66,0	112,2	1988	4,01	4,22			91,3	30,4	18,3	
	38	6,9	7,0			5,0	63,0	107,1	2022	3,81	4,01			97,8	32,6	19,6
		8,2	8,3			6,0	68,0	115,6	2215	4,15	4,37			98,3	32,8	19,7
	40	8,5	8,6			6,0	69,0	117,3	2455	4,22	4,44			107,2	35,7	21,4
9,2		9,3			6,5	71,0	120,7	2552	4,36	4,59			107,9	36,0	21,6	