

TECHNICAL DATASHEET TURBOCAR

EXECUTIVE – IG3



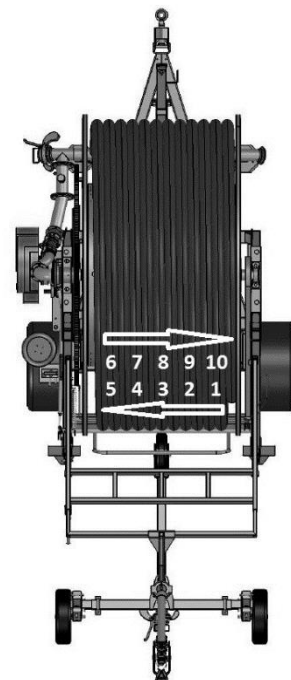
Illustrative purposes only; the model shown here could be different that one supplied

STANDARD EQUIPMENT

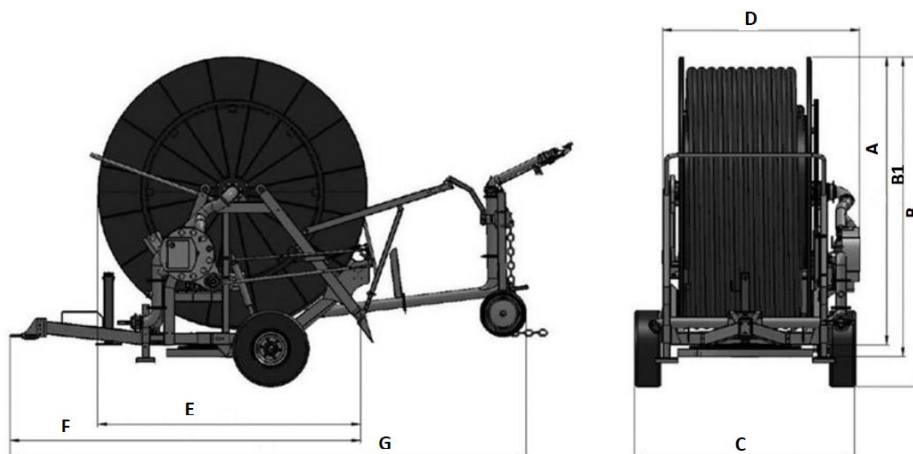
- High efficiency partial flow turbine drive directly coupled to the gearbox (minimum pressure losses in its category)
- 4 speed gearbox with oil lubrication
- Safety devices for PTO and rewinding out of the drum
- Moving transmission through toothed crown, which is placed close to the maximum stress point on the drum and not pushing against the hose reel borders
- Leadscrew driven hose layering guide
- By-pass “double action” for automatic speed control
- Glycerine filled pressure gauge
- Digital hour meters
- Huge diameter 360° turntable
- Hose emptying compressor
- Hot galvanised anti-sinking plate
- Hydraulic system for turntable rotation, trolley lift, drawbar jack and independent wheels lifting, actioned by distributor lever situated on one side of the machine
- Trolley lift and stacker legs driven by hydraulic pistons incorporated inside the structure
- 2 wheels painted frame
- Hot galvanised steel pipework with double water inlet and components
- 2 wheels hot galvanised sprinkler trolley with adjustable track, height and legs
- Accident prevention protections according to CE standard
- Sprinkler with set of nozzles
- High resistant medium density PE hose with differentiated thickness
- Instructions and maintenance handbook
- CE Certificate
- Warranty certificate

Available Models

Structure	Model	Type	Hose ending	P.E. hose Ø (mm)	Hose length L (m)	Sprinkler
IG3D	125 IG 550	C	10	125	550	EXPLORER / TWIN 202
	125 IG 600	B	3	125	600	EXPLORER / TWIN 202
	125 IG 650	B	5	125	650	EXPLORER / TWIN 202
	135 IG 550	A	3	135	550	EXPLORER / TWIN 202
	135 IG 580	A	4	135	580	EXPLORER / TWIN 202
	140 IG 450	C	7	140	450	EXPLORER / TWIN 202
	140 IG 500	C	10	140	500	EXPLORER / TWIN 202
	150 IG 400	B	7	150	400	EXPLORER / TWIN 202
	150 IG 450	B	9	150	450	EXPLORER / TWIN 202
	160 IG 350	C	4	160	350	LANCER



Weight and overall dimensions



STR.	TYPE	WHEELS	A	B	B1	C	D	E	F	G	KG
IG3	A	385/65.22.5-6F	3580	4130	3730	2800	2550	3400	4320	6400	7450 ÷ 7550
	A	500/50.17-6F	3580	4070	3730	3020	2550	3400	4320	6400	
	B	385/65.22.5-6F	3580	4130	3730	2800	2550	3400	4320	6400	
	B	500/50.17-6F	3580	4070	3730	3020	2550	3400	4320	6400	
	C	385/65.22.5-6F	3580	4130	3730	2800	2550	3400	4320	6400	
C	500/50.17-6F	3580	4070	3730	3020	2550	3400	4320	6400		

Technical Features

Ø hose (mm)	Ø nozzle (mm)	Machine pressure (atm)			Sprinkler press. (atm)	Throw (mt)	Irrigated width (mt)	Flow (l/min)	Irrigated area (ha)			Rainfall (mm)		
		550	600	650					550	600	650			
125	32	7,6	8,0	8,5	4,0	54,0	91,8	1282	5,13	5,56	6,00	78,4	26,1	15,7
		9,2	9,8	10,3	5,0	58,0	98,6	1432	5,53	6,00	6,47	81,1	27,0	16,2
	36	11,2	12,0	12,9	5,0	61,0	103,7	1813	5,84	6,33	6,83	97,3	32,4	19,5
		13,3	14,2	15,3	6,0	66,0	112,2	1988	6,36	6,89	7,42	98,1	32,7	19,6
	38	12,5	13,5	14,5	5,0	63,0	107,1	2022	6,05	6,55	7,06	104,8	34,9	21,0
		14,7	15,9	17,2	6,0	68,0	115,6	2215	6,56	7,11	7,66	105,8	35,3	21,2
135	34	8,6	8,8		5,0	59,0	100,3	1618	5,64	5,92		88,1	29,4	17,6
		10,1	10,3		6,0	64,0	108,8	1773	6,15	6,46		88,5	29,5	17,7
	36	9,3	9,5		5,0	61,0	103,7	1813	5,84	6,14		95,3	31,8	19,1
		11,0	11,2		6,0	66,0	112,2	1988	6,36	6,68		96,0	32,0	19,2
	38	10,1	10,4		5,0	63,0	107,1	2022	6,05	6,35		102,6	34,2	20,5
		11,9	12,3		6,0	68,0	115,6	2215	6,56	6,89		103,6	34,5	20,7
140	34	7,5	7,8		5,0	59,0	100,3	1618	4,68	5,16		86,8	28,9	17,4
		8,8	9,2		6,0	64,0	108,8	1773	5,12	5,63		87,0	29,0	17,4
	36	7,9	8,3		5,0	61,0	103,7	1813	4,86	5,35		93,8	31,3	18,8
		9,3	9,9		6,0	66,0	112,2	1988	5,29	5,82		94,4	31,5	18,9
	38	8,4	9,0		5,0	63,0	107,1	2022	5,03	5,54		100,9	33,6	20,2
		9,9	10,6		6,0	68,0	115,6	2215	5,47	6,02		101,7	33,9	20,3
150	36	7,0	7,2		5,0	61,0	103,7	1813	4,36	4,86		92,8	30,9	18,6
		8,2	8,5		6,0	66,0	112,2	1988	4,76	5,29		93,3	31,1	18,7
	38	7,3	7,6		5,0	63,0	107,1	2022	4,52	5,03		99,8	33,3	20,0
		8,6	9,0		6,0	68,0	115,6	2215	4,92	5,47		100,5	33,5	20,1
	40	9,0	9,5		6,0	69,0	117,3	2455	5,00	5,55		109,6	36,5	21,9
		9,7	10,2		6,5	71,0	120,7	2552	5,16	5,73		110,4	36,8	22,1
160	38	6,8			5,0	65,0	110,5	2022	4,15			95,1	31,7	19,0
		8,0			6,0	69,5	118,2	2215	4,48			96,6	32,2	19,3
	40	8,4			6,0	71,0	120,7	2455	4,59			104,6	34,9	20,9
		9,6			7,0	76,0	129,2	2648	4,95			104,5	34,8	20,9
	42	8,7			6,0	72,0	122,4	2705	4,66			113,4	37,8	22,7
		10,0			7,0	77,5	131,8	2918	5,06			112,6	37,5	22,5