

## TECHNICAL DATASHEET TURBOCAR

# EXTREME – IG5



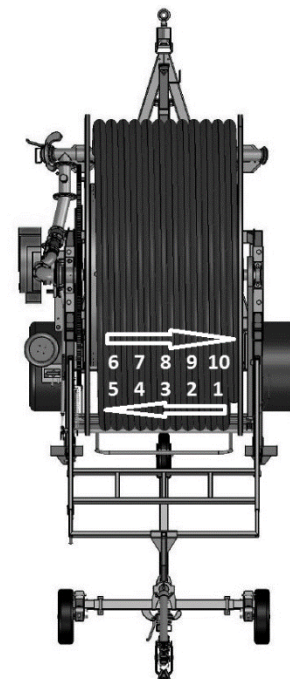
*Illustrative purposes only; the model shown here could be different that one supplied*

### STANDARD EQUIPMENT

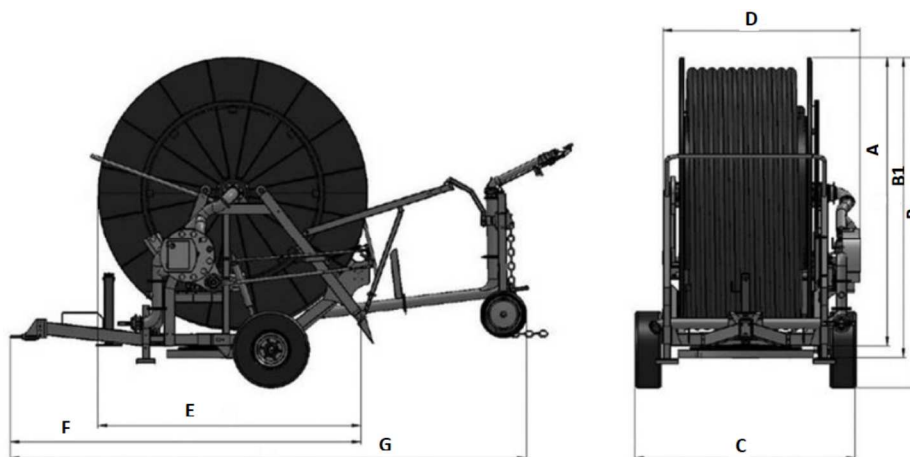
- High efficiency partial flow turbine drive directly coupled to the gearbox (minimum pressure losses in its category)
- 2 speed gearbox with oil lubrication
- Safety devices for PTO and rewinding out of the drum
- Moving transmission through toothed crown, which is placed close to the maximum stress point on the drum and not pushing against the hose reel borders
- Leadscrew driven hose layering guide
- By-pass “double action” for automatic speed control
- Glycerine filled pressure gauge
- Irrigamatic Computer B2 for hose speed control
- Huge diameter 360° turntable
- Hose emptying compressor
- Hot galvanised anti-sinking plate
- Hydraulic system for turntable rotation, trolley lift, drawbar jack and independent wheels lifting, actioned by distributor lever situated on one side of the machine
- Trolley lift and stacker legs driven by hydraulic pistons incorporated inside the structure
- Painted frame on twin-axle 4 wheels
- Hot galvanised steel pipework with double water inlet and components
- 2 wheels hot galvanised sprinkler trolley with adjustable track, height and legs
- Accident prevention protections according to CE standard
- Sprinkler with set of nozzles
- High resistant medium density PE hose with differentiated thickness
- Instructions and maintenance handbook
- CE Certificate
- Warranty certificate

## Available Models

Structure	Model	Type	Hose ending	P.E. hose Ø (mm)	Hose length L (m)	Sprinkler
IG5D	125 IG 800	B	9	125	800	EXPLORER / TWIN 202
	140 IG 650	A	6	140	650	EXPLORER / TWIN 202
	140 IG 700	A	8	140	700	EXPLORER / TWIN 202
	150 IG 550	B	2	150	550	EXPLORER / TWIN 202
	150 IG 580	B	3	150	580	EXPLORER / TWIN 202
	150 IG 600	B	4	150	600	EXPLORER / TWIN 202
	160 IG 450	C	7	160	450	LANCER
	160 IG 480	C	9	160	480	LANCER



## Weight and overall dimensions



STR.	TYPE	WHEELS	A	B	B1	C	D	E	F	G	KG
IG5	A	13.0/65.18-6F	3900	4440	4050	2990	2750	3780	5300	7100	10500 ÷ 10800
	A	15.0/55.17-8F	3900	4420	4050	3130	2750	3780	5300	7100	
	A	500/50.17-6F	3900	4460	4050	3330	2750	3780	5300	7100	
	B	13.0/65.18-6F	3900	4440	4050	2990	2750	3780	5300	7100	
	B	15.0/55.17-8F	3900	4420	4050	3130	2750	3780	5300	7100	
	B	500/50.17-6F	3900	4460	4050	3330	2750	3780	5300	7100	
	C	13.0/65.18-6F	3900	4440	4050	2990	2750	3780	5300	7100	
	C	15.0/55.17-8F	3900	4420	4050	3130	2750	3780	5300	7100	
	C	500/50.17-6F	3900	4460	4050	3330	2750	3780	5300	7100	

## Technical Features

Ø hose (mm)	Ø nozzle (mm)	Machine pressure (atm)			Sprinkler press. (atm)	Throw (mt)	Irrigated width (mt)	Flow (l/min)	Irrigated area (ha)			Rainfall (mm)			
		800							800						
125	32	9,5			4,0	54,0	91,8	1282	7,31				80,0	26,7	16,0
		11,6			5,0	58,0	98,6	1432	7,88				82,9	27,6	16,6
	36	14,9			5,0	61,0	103,7	1813	8,30				99,6	33,2	19,9
		17,6			6,0	66,0	112,2	1988	9,02				100,5	33,5	20,1
	38	16,9			5,0	63,0	107,1	2022	8,59				107,3	35,8	21,5
		20,0			6,0	68,0	115,6	2215	9,31				108,5	36,2	21,7
140	34	650	700						650	700					
		8,7	9,0		5,0	59,0	100,3	1618	6,59	7,06			89,1	29,7	17,8
	10,3	10,6		6,0	64,0	108,8	1773	7,18	7,70			89,5	29,8	17,9	
	36	9,4	9,8		5,0	61,0	103,7	1813	6,83	7,32			96,4	32,1	19,3
		11,1	11,6		6,0	66,0	112,2	1988	7,42	7,96			97,2	32,4	19,4
	38	10,3	10,7		5,0	63,0	107,1	2022	7,06	7,57			103,8	34,6	20,8
12,1		12,7		6,0	68,0	115,6	2215	7,66	8,21			104,8	34,9	21,0	
150	36	550	580	600					550	580	600				
		7,7	7,8	7,9	5,0	61,0	103,7	1813	5,84	6,14	6,33		95,3	31,8	19,1
	9,1	9,3	9,4	6,0	66,0	112,2	1988	6,36	6,68	6,89		96,0	32,0	19,2	
	38	8,2	8,4	8,5	5,0	63,0	107,1	2022	6,05	6,35	6,55		102,6	34,2	20,5
		9,6	9,9	10,0	6,0	68,0	115,6	2215	6,56	6,89	7,11		103,6	34,5	20,7
	40	10,3	10,6	10,7	6,0	69,0	117,3	2455	6,67	7,00	7,23		113,0	37,7	22,6
11,1		11,4	11,5	6,5	71,0	120,7	2552	6,88	7,22	7,45		113,9	38,0	22,8	
160	38	450	480						450	480					
		7,3	7,4		5,0	65,0	110,5	2022	5,20	5,52			97,6	32,5	19,5
	8,6	8,8		6,0	69,5	118,2	2215	5,60	5,94			99,3	33,1	19,9	
	40	9,0	9,2		6,0	71,0	120,7	2455	5,73	6,08			107,6	35,9	21,5
		10,4	10,6		7,0	76,0	129,2	2648	6,18	6,55			107,6	35,9	21,5
	42	9,5	9,7		6,0	72,0	122,4	2705	5,82	6,17			116,7	38,9	23,3
10,9		11,2		7,0	77,5	131,8	2918	6,31	6,69			116,1	38,7	23,2	