

## TECHNICAL DATASHEET TURBOCAR

# JOLLY – J1



*Illustrative purposes only; the model shown here could be different that one supplied*

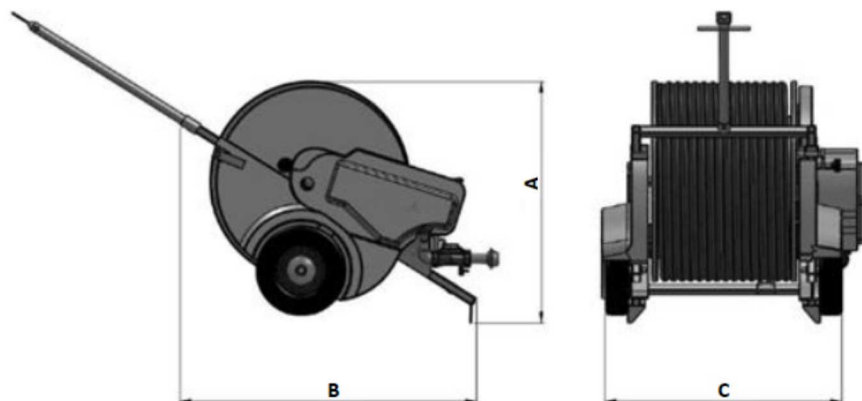
### STANDARD EQUIPMENT

- High efficiency partial flow turbine drive directly coupled to the gearbox (minimum pressure losses in its category)
- Single-speed gearbox with oil lubrication
- Safety devices for PTO and rewinding out of the drum
- Moving transmission through toothed crown, which is placed close to the maximum stress point on the drum and not pushing against the hose reel borders
- Leadscrew driven hose layering guide
- Manual by-pass with speed control
- Glycerine filled pressure gauge
- Automatic trolley lift “retractable”
- Hot galvanised frame, pipework water and components
- Galvanised sprinkler trolley with adjustable track
- Accident prevention protections according to CE standard
- Sprinkler with set of nozzles
- High resistant low density PE hose
- Instructions and maintenance handbook
- CE Certificate
- Warranty certificate

## Available Models

Structure	Model	P.E.B.D. Hose Ø (mm)	Hose length L (m)	Sprinkler
J1D	40 F 125	40	125	K1

## Weight and overall dimensions



STRUCTURE	A	B	C	KG
<b>J1</b>	1250	1350	1100	<b>220</b>

## Technical Features

Ø hose (mm)	Ø nozzle (mm)	Machine pressure (atm)			Sprinkler press. (atm)		Throw (mt)	Irrigated width (mt)	Flow (l/min)	Irrigated area (ha)			Rainfall (mm)		
		125	150	200	1,5	2,0				10 m/h	30 m/h	50 m/h			
<b>40</b>	<b>9</b>	2,6			1,5	16,5	31,4	62	0,41			10,7	3,6	2,1	
		3,3			2,0	17,5	33,3	70	0,44			11,4	3,8	2,3	
	<b>10</b>	3,7			2,0	18,0	34,2	88	0,45			13,9	4,6	2,8	
		5,2			3,0	20,5	39,0	107	0,52			14,6	4,9	2,9	
	<b>12</b>	6,8			3,0	21,0	39,9	155	0,54			20,6	6,9	4,1	
		8,8			4,0	23,5	44,7	178	0,61			20,9	7,0	4,2	