

TECHNICAL DATASHEET TURBOCAR

ACTIVE – G4S



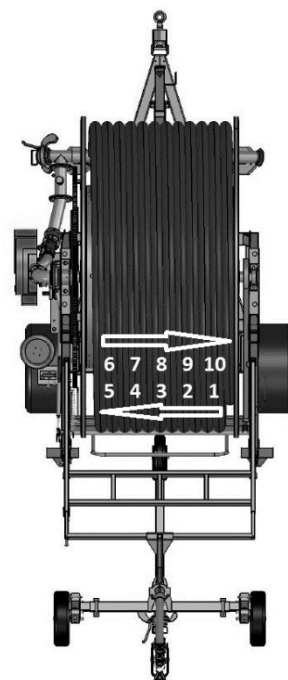
Illustrative purposes only; the model shown here could be different that one supplied

STANDARD EQUIPMENT

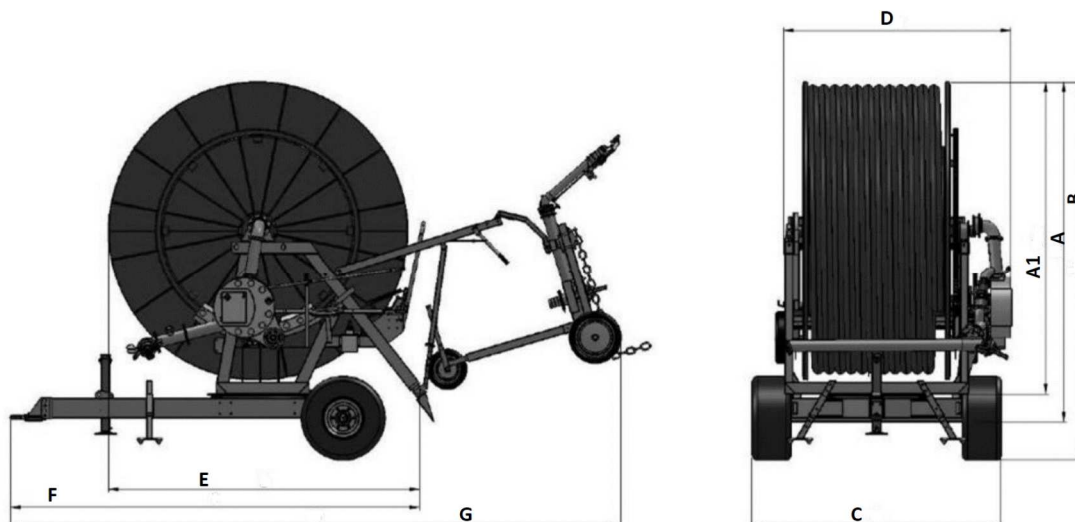
- High efficiency partial flow turbine drive directly coupled to the gearbox (minimum pressure losses in its category)
- 4 speed gearbox with oil lubrication
- Safety devices for PTO and rewinding out of the drum
- Moving transmission through toothed crown, which is placed close to the maximum stress point on the drum and not pushing against the hose reel borders
- Leadscrew driven hose layering guide
- By-pass “double action” for automatic speed control
- Glycerine filled pressure gauge
- Digital hour meters
- Huge diameter 360° turntable
- Exclusive “safety lock” rotation system from trolley lift which blocks the automatic rotation in case of emergency and allows a single operator to turn the machine safely and with minimum effort
- Trolley lift and stacker legs driven by hydraulic pistons incorporated inside the structure
- Additional stacker legs on the tow-bar
- Hot galvanised steel lower frame, upper frame, pipework with double water inlet and components
- 3 wheels hot galvanised sprinkler trolley with adjustable track, height and legs
- Accident prevention protections according to CE standard
- Sprinkler with set of nozzles
- High resistant medium density PE hose with differentiated thickness
- Instructions and maintenance handbook
- CE Certificate
- Warranty certificate

Available Models

Structure	Model	Type	Hose ending	P.E. hose Ø (mm)	Hose length L (m)	Sprinkler
G4SD	100 G 480	B	5	100	480	REFLEX / TWIN 140
	110 G 400	A	3	110	400	REFLEX / TWIN 160
	120 G 320	B	8	120	320	EXPLORER / TWIN 202
	120 G 350	B	10	120	350	EXPLORER / TWIN 202
	125 G 250	C	3	125	250	EXPLORER / TWIN 202
	125 G 280	C	5	125	280	EXPLORER / TWIN 202



Weight and overall dimensions



STR.	TYPE	WHEELS	A1	A	B	C	D	E	F	G	KG
G4S	A	10.0/75.15.3-5F	2830	3060	3410	2200	2000	2850	3720	5500	???
	A	13.0/55.16-6F	2830	3060	3420	2260	2000	2850	3720	5500	
	A	11.5/80.15.3-6F	2830	3060	3460	2230	2000	2850	3720	5500	
	B	10.0/75.15.3-5F	2830	3060	3410	2200	2000	2850	3720	5500	
	B	13.0/55.16-6F	2830	3060	3420	2260	2000	2850	3720	5500	
	B	11.5/80.15.3-6F	2830	3060	3460	2230	2000	2850	3720	5500	
	C	10.0/75.15.3-5F	2830	3060	3410	2200	2000	2850	3720	5500	
	C	13.0/55.16-6F	2830	3060	3420	2260	2000	2850	3720	5500	
	C	11.5/80.15.3-6F	2830	3060	3460	2230	2000	2850	3720	5500	

Technical Features

Ø hose (mm)	Ø nozzle (mm)	Machine pressure (atm)				Sprinkler press. (atm)	Throw (mt)	Irrigated width (mt)	Flow (l/min)	Irrigated area (ha)				Rainfall (mm)						
100	26	480								480										
		6,1				3,0	42,0	71,4	732	3,46					57,9	19,3	11,6			
	28	7,9				4,0	47,0	79,9	845	3,89					59,4	19,8	11,9			
		9,0				4,0	51,0	86,7	980	4,25					63,1	21,0	12,6			
		10,9				5,0	56,0	95,2	1095	4,70					63,8	21,3	12,8			
		12,5				5,0	57,0	96,9	1260	4,79					72,0	24,0	14,4			
30	13,6				5,5	58,5	99,5	1320	4,92					73,4	24,5	14,7				
	400								400											
110	28	5,2				3,0	44,0	74,8	848	3,06					63,2	21,1	12,6			
		6,7				4,0	51,0	86,7	980	3,59					62,2	20,7	12,4			
	30	7,3				4,0	52,0	88,4	1127	3,67					70,1	23,4	14,0			
		8,9				5,0	57,0	96,9	1260	4,05					70,9	23,6	14,2			
	32	9,8				5,0	58,0	98,6	1432	4,13					79,1	26,4	15,8			
		9,8				5,5	60,0	102,0	1330	4,28					70,8	23,6	14,2			
120	30	320	350								320	350								
		6,0	6,1			4,0	52,0	88,4	1127	2,99	3,25				53,6	17,9	10,7			
	7,3	7,5			5,0	56,0	95,2	1260	3,25	3,52				55,2	18,4	11,0				
	32	7,8	8,0			5,0	58,0	98,6	1432	3,38	3,66				60,4	20,1	12,1			
		9,2	9,4			6,0	62,0	105,4	1570	3,64	3,94				61,5	20,5	12,3			
	34	8,3	8,6			5,0	59,0	100,3	1618	3,44	3,73				67,0	22,3	13,4			
9,8		10,1			6,0	64,0	108,8	1773	3,77	4,08				67,0	22,3	13,4				
125	32	250	280								250	280								
		5,7	5,8			4,0	54,0	91,8	1282	2,51	2,77				72,7	24,2	14,5			
	6,9	7,1			5,0	58,0	98,6	1432	2,72	3,00				74,9	25,0	15,0				
	36	7,7	8,0			5,0	61,0	103,7	1813	2,88	3,18				89,6	29,9	17,9			
		9,1	9,4			6,0	66,0	112,2	1988	3,16	3,48				89,7	29,9	17,9			
	38	8,2	8,5			5,0	63,0	107,1	2022	2,99	3,30				96,2	32,1	19,2			
9,6		10,0			6,0	68,0	115,6	2215	3,27	3,60				96,5	32,2	19,3				