

TECHNICAL DATASHEET TURBOCAR

ACTIVE – G5S



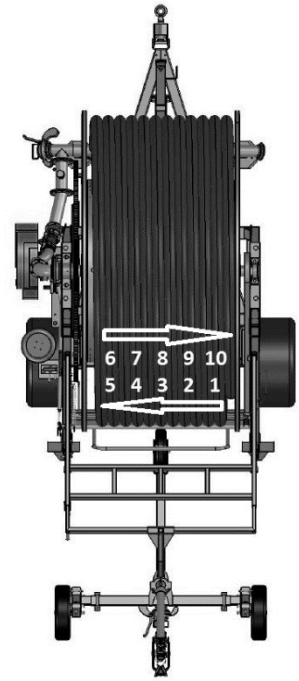
Illustrative purposes only; the model shown here could be different that one supplied

STANDARD EQUIPMENT

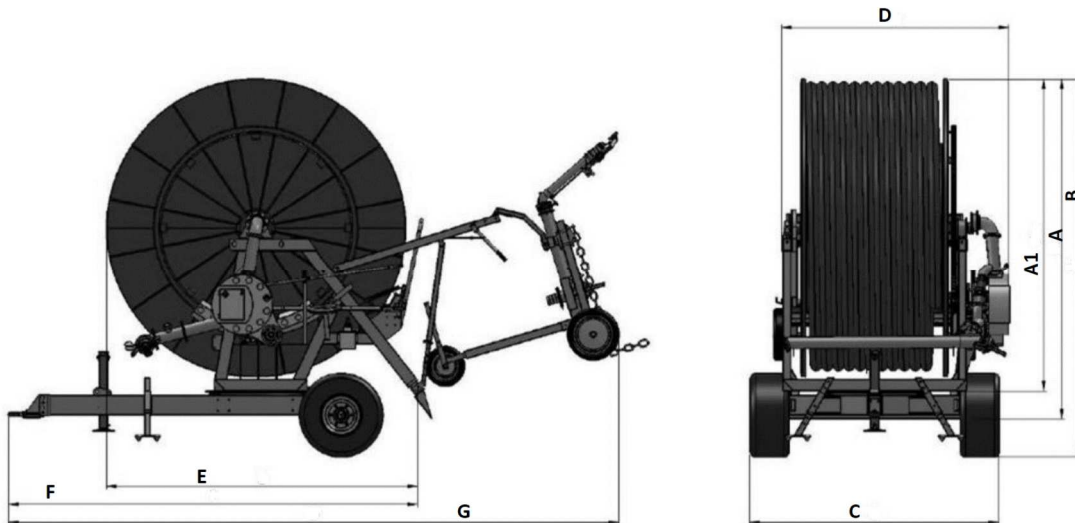
- High efficiency partial flow turbine drive directly coupled to the gearbox (minimum pressure losses in its category)
- 4 speed gearbox with oil lubrication
- Safety devices for PTO and rewinding out of the drum
- Moving transmission through toothed crown, which is placed close to the maximum stress point on the drum and not pushing against the hose reel borders
- Leadscrew driven hose layering guide
- By-pass “double action” for automatic speed control
- Glycerine filled pressure gauge
- Digital hour meters
- Huge diameter 360° turntable
- Exclusive “safety lock” rotation system from trolley lift which blocks the automatic rotation in case of emergency and allows a single operator to turn the machine safely and with minimum effort
- Trolley lift and stacker legs driven by hydraulic pistons incorporated inside the structure
- Additional stacker legs on the tow-bar
- Hot galvanised steel lower frame, upper frame, pipework with double water inlet and components
- 3 wheels hot galvanised sprinkler trolley with adjustable track, height and legs
- Accident prevention protections according to CE standard
- Sprinkler with set of nozzles
- High resistant medium density PE hose with differentiated thickness
- Instructions and maintenance handbook
- CE Certificate
- Warranty certificate

Available Models

Structure	Model	Type	Hose ending	P.E. hose Ø (mm)	Hose length L (m)	Sprinkler
G5SD	110 G 560	B	2	110	560	REFLEX / TWIN 160
	110 G 600	B	4	110	600	REFLEX / TWIN 160
	120 G 500	A	2	120	500	EXPLORER / TWIN 202
	125 G 420	B	8	125	420	EXPLORER / TWIN 202
	125 G 450	B	9	125	450	EXPLORER / TWIN 202
	135 G 400	B	8	135	400	EXPLORER / TWIN 202
	140 G 320	C	2	140	320	EXPLORER / TWIN 202
	140 G 350	C	4	140	350	EXPLORER / TWIN 202
	150 G 300	B	4	150	300	EXPLORER / TWIN 202



Weight and overall dimensions



STR.	TYPE	WHEELS	A1	A	B	C	D	E	F	G	KG
G5S	A	11.5/80.15.3-6F	3300	3580	3960	2440	2380	3250	4820	6750	4300 ÷ 5000
	A	400/60.15.3-6F	3300	3580	3960	2520	2380	3250	4820	6750	
	A	13.0/65.18-6F	3300	3580	3990	2440	2380	3250	4820	6750	
	B	11.5/80.15.3-6F	3300	3580	3960	2440	2380	3250	4820	6750	
	B	400/60.15.3-6F	3300	3580	3960	2520	2380	3250	4820	6750	
	B	13.0/65.18-6F	3300	3580	3990	2440	2380	3250	4820	6750	
	C	11.5/80.15.3-6F	3300	3580	3960	2440	2380	3250	4820	6750	
	C	400/60.15.3-6F	3300	3580	3960	2520	2380	3250	4820	6750	
	C	13.0/65.18-6F	3300	3580	3990	2440	2380	3250	4820	6750	

Technical Features

Ø hose (mm)	Ø nozzle (mm)	Machine pressure (atm)				Sprinkler press. (atm)	Throw (mt)	Irrigated width (mt)	Flow (l/min)	Irrigated area (ha)				Rainfall (mm)		
		560	600							560	600					
110	28	6,4	6,6			3,0	44,0	74,8	848	4,20	4,48			64,5	21,5	12,9
		8,3	8,5			4,0	51,0	86,7	980	4,91	5,24			63,7	21,2	12,7
	30	9,3	9,7			4,0	52,0	88,4	1127	5,01	5,35			71,8	23,9	14,4
		11,4	11,8			5,0	57,0	96,9	1260	5,52	5,89			72,8	24,3	14,6
	32	13,0	13,5			5,0	58,0	98,6	1432	5,63	6,00			81,2	27,1	16,2
		12,5	13,0			5,5	60,0	102,0	1330	5,83	6,22			72,8	24,3	14,6
120	30	500							500							
		7,1				4,0	52,0	88,4	1127	4,51				59,9	20,0	12,0
	32	8,7				5,0	56,0	95,2	1260	4,88				61,8	20,6	12,4
		9,6				5,0	58,0	98,6	1432	5,07				67,7	22,6	13,5
	34	11,3				6,0	62,0	105,4	1570	5,44				69,1	23,0	13,8
		10,6				5,0	59,0	100,3	1618	5,16				75,1	25,0	15,0
		12,5				6,0	64,0	108,8	1773	5,63			75,4	25,1	15,1	
125	32	420	450							420	450					
		6,6	6,8			4,0	54,0	91,8	1282	3,99	4,26			76,8	25,6	15,4
	36	8,1	8,3			5,0	58,0	98,6	1432	4,32	4,60			79,4	26,5	15,9
		9,5	9,7			5,0	61,0	103,7	1813	4,56	4,86			95,2	31,7	19,0
	38	11,2	11,5			6,0	66,0	112,2	1988	4,97	5,29			95,8	31,9	19,2
		10,3	10,7			5,0	63,0	107,1	2022	4,72	5,03			102,5	34,2	20,5
		12,2	12,6			6,0	68,0	115,6	2215	5,14	5,47			103,2	34,4	20,6
135	34	400								400						
		7,6				5,0	59,0	100,3	1618	4,21				90,2	30,1	18,0
	36	8,9				6,0	64,0	108,8	1773	4,60				90,4	30,1	18,1
		8,0				5,0	61,0	103,7	1813	4,36				97,4	32,5	19,5
	38	9,5				6,0	66,0	112,2	1988	4,76				97,9	32,6	19,6
		8,6				5,0	63,0	107,1	2022	4,52				104,8	34,9	21,0
		10,1				6,0	68,0	115,6	2215	4,92			105,6	35,2	21,1	
140	34	320	350							320	350					
		6,8	6,9			5,0	59,0	100,3	1618	3,44	3,73			83,9	28,0	16,8
	36	8,0	8,2			6,0	64,0	108,8	1773	3,77	4,08			83,9	28,0	16,8
		7,1	7,2			5,0	61,0	103,7	1813	3,57	3,87			90,6	30,2	18,1
	38	8,4	8,6			6,0	66,0	112,2	1988	3,90	4,22			90,9	30,3	18,2
		7,4	7,6			5,0	63,0	107,1	2022	3,71	4,01			97,4	32,5	19,5
		8,8	9,0			6,0	68,0	115,6	2215	4,04	4,37			97,9	32,6	19,6
150	36	300								300						
		6,5				5,0	61,0	103,7	1813	3,38				89,9	30,0	18,0
	38	7,7				6,0	66,0	112,2	1988	3,69				90,2	30,1	18,0
		6,7				5,0	63,0	107,1	2022	3,50				96,6	32,2	19,3
	40	8,0				6,0	68,0	115,6	2215	3,82				97,1	32,4	19,4
		8,3				6,0	69,0	117,3	2455	3,88				105,8	35,3	21,2
		8,9				6,5	71,0	120,7	2552	4,01			106,5	35,5	21,3	