

TECHNICAL DATASHEET TURBOCAR

ACTIVE – G6



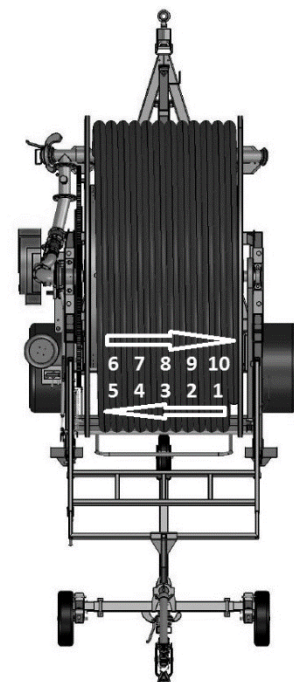
Illustrative purposes only; the model shown here could be different that one supplied

STANDARD EQUIPMENT

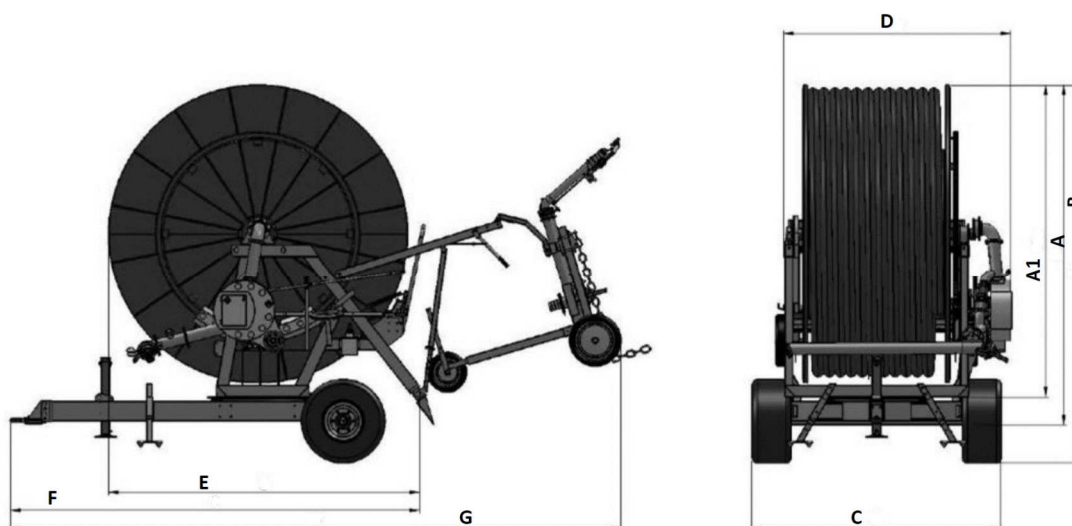
- High efficiency partial flow turbine drive directly coupled to the gearbox (minimum pressure losses in its category)
- 4 speed gearbox with oil lubrication
- Safety devices for PTO and rewinding out of the drum
- Moving transmission through toothed crown, which is placed close to the maximum stress point on the drum and not pushing against the hose reel borders
- Leadscrew driven hose layering guide
- By-pass “double action” for automatic speed control
- Glycerine filled pressure gauge
- Digital hour meters
- Huge diameter 360° turntable
- Exclusive “safety lock” rotation system from trolley lift which blocks the automatic rotation in case of emergency and allows a single operator to turn the machine safely and with minimum effort
- Trolley lift and stacker legs driven by hydraulic pistons incorporated inside the structure
- Additional stacker legs on the tow-bar
- Hot galvanised steel lower frame, upper frame, pipework with double water inlet and components
- 3 wheels hot galvanised sprinkler trolley with adjustable track, height and legs
- Accident prevention protections according to CE standard
- Sprinkler with set of nozzles
- High resistant medium density PE hose with differentiated thickness
- Instructions and maintenance handbook
- CE Certificate
- Warranty certificate

Available Models

Structure	Model	Type	Hose ending	P.E. hose Ø (mm)	Hose length L (m)	Sprinkler
G6D	110 G 630	A	3	110	630	REFLEX / TWIN 160
	110 G 680	A	5	110	680	REFLEX / TWIN 160
	125 G 470	A	8	125	470	EXPLORER / TWIN 202
	125 G 500	A	10	125	500	EXPLORER / TWIN 202
	135 G 450	A	8	135	450	EXPLORER / TWIN 202
	135 G 480	A	10	135	480	EXPLORER / TWIN 202
	140 G 360	C	3	140	360	EXPLORER / TWIN 202
	140 G 400	C	5	140	400	EXPLORER / TWIN 202
	150 G 330	B	3	150	330	EXPLORER / TWIN 202
	150 G 350	B	4	150	350	EXPLORER / TWIN 202



Weight and overall dimensions



STR.	TYPE	WHEELS	A1	A	B	C	D	E	F	G	KG
G6	A	11.5/80.15.3-6F	3300	3600	3970	2520	2530	3260	4830	7100	4300 ÷ 5000
	A	13.0/65.18-6F	3300	3600	4000	2550	2530	3260	4830	7100	
	B	11.5/80.15.3-6F	3300	3600	3970	2520	2530	3260	4830	7100	
	B	13.0/65.18-6F	3300	3600	4000	2550	2530	3260	4830	7100	
	C	11.5/80.15.3-6F	3300	3600	3970	2520	2530	3260	4830	7100	
	C	13.0/65.18-6F	3300	3600	4000	2550	2530	3260	4830	7100	

Technical Features

Ø hose (mm)	Ø nozzle (mm)	Machine pressure (atm)				Sprinkler press. (atm)	Throw (mt)	Irrigated width (mt)	Flow (l/min)	Irrigated area (ha)				Rainfall (mm)		
		630	680							630	680					
110	28	6,8	7,0			3,0	44,0	74,8	848	4,70	5,05			64,9	21,6	13,0
		8,7	9,1			4,0	51,0	86,7	980	5,48	5,90			64,2	21,4	12,8
	30	9,9	10,4			4,0	52,0	88,4	1127	5,60	6,02			72,3	24,1	14,5
		12,2	12,7			5,0	57,0	96,9	1260	6,17	6,63			73,4	24,5	14,7
	32	13,9	14,6			5,0	58,0	98,6	1432	6,28	6,75			81,8	27,3	16,4
		13,4	13,9			5,5	60,0	102,0	1330	6,51	7,00			73,3	24,4	14,7
125	32	470	500							470	500					
		7,0	7,2			4,0	54,0	91,8	1282	4,43	4,69			77,5	25,8	15,5
	36	8,6	8,8			5,0	58,0	98,6	1432	4,78	5,07			80,2	26,7	16,0
		10,2	10,5			5,0	61,0	103,7	1813	5,05	5,35			96,2	32,1	19,2
	38	12,1	12,4			6,0	66,0	112,2	1988	5,50	5,82			96,8	32,3	19,4
		11,2	11,6			5,0	63,0	107,1	2022	5,23	5,54			103,5	34,5	20,7
		13,3	13,7			6,0	68,0	115,6	2215	5,69	6,02			104,4	34,8	20,9
135	34	450	480							450	480					
		7,9	8,2			5,0	59,0	100,3	1618	4,68	4,97			90,6	30,2	18,1
	36	9,3	9,7			6,0	64,0	108,8	1773	5,12	5,43			90,9	30,3	18,2
		8,4	8,8			5,0	61,0	103,7	1813	4,86	5,15			97,9	32,6	19,6
	38	9,9	10,4			6,0	66,0	112,2	1988	5,29	5,61			98,6	32,9	19,7
		9,0	9,5			5,0	63,0	107,1	2022	5,03	5,33			105,4	35,1	21,1
		10,7	11,2			6,0	68,0	115,6	2215	5,47	5,80			106,3	35,4	21,3
140	34	360	400							360	400					
		7,0	7,2			5,0	59,0	100,3	1618	3,83	4,21			85,0	28,3	17,0
	36	8,3	8,5			6,0	64,0	108,8	1773	4,19	4,60			85,1	28,4	17,0
		7,4	7,6			5,0	61,0	103,7	1813	3,97	4,36			91,8	30,6	18,4
	38	8,7	9,0			6,0	66,0	112,2	1988	4,33	4,76			92,2	30,7	18,4
		7,8	8,0			5,0	63,0	107,1	2022	4,11	4,52			98,7	32,9	19,7
		9,2	9,5			6,0	68,0	115,6	2215	4,48	4,92			99,4	33,1	19,9
150	36	330	350							330	350					
		6,7	6,7			5,0	61,0	103,7	1813	3,67	3,87			90,9	30,3	18,2
	38	7,9	8,0			6,0	66,0	112,2	1988	4,01	4,22			91,3	30,4	18,3
		6,9	7,0			5,0	63,0	107,1	2022	3,81	4,01			97,8	32,6	19,6
	40	8,2	8,3			6,0	68,0	115,6	2215	4,15	4,37			98,3	32,8	19,7
		8,5	8,6			6,0	69,0	117,3	2455	4,22	4,44			107,2	35,7	21,4
		9,2	9,3			6,5	71,0	120,7	2552	4,36	4,59			107,9	36,0	21,6